



Chemotherapy Gowns

The Regard Chemotherapy Gowns are a trusted barrier to reduce exposure to hazardous drugs in higher risk environments.

Our Chemotherapy Gowns are:

- » Tested against 19 chemotherapy drugs
- » Designed with knit cuffs that provide comfort while wearing gloves
- » Equipped with ultrasonic welded seams for added protection





Chemotherapy Gowns

Products

| REORDER # | DESCRIPTION | SIZE | PUOM | PUOM FACTOR | PACK STRING |
|-----------|-------------------------------|------|------|-------------|--------------------|
| 7567318 | 38G Chemo Gown, PE Coated SMS | M | CA | 100 | 10/bag, 10 bags/ca |
| 7567317 | 38G Chemo Gown, PE Coated SMS | L | CA | 100 | 10/bag, 10 bags/ca |
| 7567316 | 38G Chemo Gown, PE Coated SMS | XL | CA | 100 | 10/bag, 10 bags/ca |
| 7567315 | 38G Chemo Gown, PE Coated SMS | 2XL | CA | 100 | 10/bag, 10 bags/ca |
| 7567314 | 53G Chemo Gown, PE Coated SPP | M | CA | 80 | 10/bag, 8 bags/ca |
| 7567313 | 53G Chemo Gown, PE Coated SPP | L | CA | 80 | 10/bag, 8 bags/ca |
| 7567312 | 53G Chemo Gown, PE Coated SPP | XL | CA | 80 | 10/bag, 8 bags/ca |
| 7567311 | 53G Chemo Gown, PE Coated SPP | 2XL | CA | 80 | 10/bag, 8 bags/ca |

General Information

Meet USP <800> Guidance: No

Tested Chemotherapy Drugs: 19*

Material: PE Coated SMS (38G), PE Coated SPP (53G)

Seam Closure: Ultrasonic Welded

Back: Full

Neck Closure: Tape-Tab

Tie Type: Waist

Wrist: Cuff

Sterile: No

Disposable: Yes

Made With Natural Rubber Latex: No

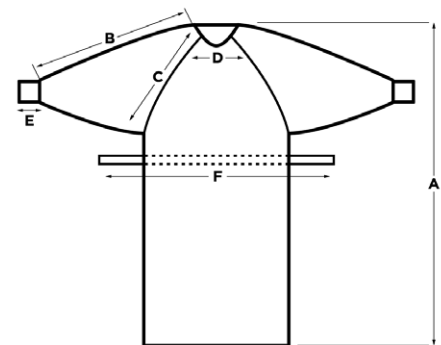
Color: Blue

Standard: ASTM F739; ASTM F1670/1671

***Tested Drugs:** Carmustine, Cisplatin, Cyclophosphamide, Cytarabine HCl, Dacarbazine, Daunorubicin HCl, Docetaxel, Doxorubicin HCl, Etoposide, Fluorouracil, Ifosfamide, Leucovorin, Methotrexate, Mitomycin C, Mitoxantrone, Oxaliplatin, Paclitaxel, Thiotepa, Vincristine Sulfate

Sizing Guide (unit: cm)

| REF | | M | L | XL | 2XL | TOLERANCE |
|-----|---------------|-----|-----|-----|-----|-----------|
| A | Gown length | 112 | 127 | 137 | 147 | ±3 |
| B | Sleeve length | 75 | 82 | 90 | 98 | ±2 |
| C | Sleeve width | 39 | 40 | 44 | 47 | ±1.5 |
| D | Collar width | 20 | 24 | 26 | 28 | ±1 |
| E | Cuff length | 7 | 7 | 7 | 7 | ±1 |
| F | Belt length | 176 | 190 | 210 | 218 | ±3 |





Premium Chemotherapy Gowns

The Regard Premium Chemotherapy Gowns are compliant with USP <800> guidelines to reduce exposure to hazardous drugs in higher risk environments.

Our Premium Chemotherapy Gowns are:

- » Tested against 19 chemotherapy drugs
- » Designed with knit cuffs that provide comfort while wearing gloves
- » Equipped with overlapped stitched tape seam closure for stronger protection





Premium Chemotherapy Gowns

USP <800>

Products

| REORDER # | DESCRIPTION | SIZE | PUOM | PUOM FACTOR | PACK STRING |
|-----------|---------------------------------------|------|------|-------------|--------------------|
| 7567310 | 38G Premium Chemo Gown, PE Coated SMS | M | CA | 100 | 10/bag, 10 bags/ca |
| 7567309 | 38G Premium Chemo Gown, PE Coated SMS | L | CA | 100 | 10/bag, 10 bags/ca |
| 7567308 | 38G Premium Chemo Gown, PE Coated SMS | XL | CA | 100 | 10/bag, 10 bags/ca |
| 7567307 | 38G Premium Chemo Gown, PE Coated SMS | 2XL | CA | 100 | 10/bag, 10 bags/ca |
| 7567306 | 53G Premium Chemo Gown, PE Coated SPP | M | CA | 80 | 10/bag, 8 bags/ca |
| 7567305 | 53G Premium Chemo Gown, PE Coated SPP | L | CA | 80 | 10/bag, 8 bags/ca |
| 7567304 | 53G Premium Chemo Gown, PE Coated SPP | XL | CA | 80 | 10/bag, 8 bags/ca |
| 7567303 | 53G Premium Chemo Gown, PE Coated SPP | 2XL | CA | 80 | 10/bag, 8 bags/ca |

General Information

Meet USP <800> Guidance: Yes

Tested Chemotherapy Drugs: 19*

Material: PE Coated SMS (38G), PE Coated SPP (53G)

Seam Closure: Overlock Stitched w/ Tape

Back: Full

Neck Closure: Tape-Tab

Tie Type: Waist

Wrist: Cuff

Sterile: No

Disposable: Yes

Made With Natural Rubber Latex: No

Color: Blue

Standard: ASTM F739; ASTM F1670/1671

***Tested Drugs:** Carmustine, Cisplatin, Cyclophosphamide, Cytarabine HCl, Dacarbazine, Daunorubicin HCl, Docetaxel, Doxorubicin HCl, Etoposide, Fluorouracil, Ifosfamide, Leucovorin, Methotrexate, Mitomycin C, Mitoxantrone, Oxaliplatin, Paclitaxel, Thiotepa, Vincristine Sulfate

Sizing Guide (unit: cm)

| REF | | M | L | XL | 2XL | TOLERANCE |
|-----|---------------|-----|-----|-----|-----|-----------|
| A | Gown length | 112 | 127 | 137 | 147 | ±3 |
| B | Sleeve length | 75 | 82 | 90 | 98 | ±2 |
| C | Sleeve width | 39 | 40 | 44 | 47 | ±1.5 |
| D | Collar width | 20 | 24 | 26 | 28 | ±1 |
| E | Cuff length | 7 | 7 | 7 | 7 | ±1 |
| F | Belt length | 176 | 190 | 210 | 218 | ±3 |

