



# Isolation Gowns

## AAMI Level 2

The Regard AAMI Level 2 Isolation Gown protects against fluids in low-risk environments.

---

### Our Isolation Level 2 Gowns feature:

- » Full back for added protection
- » Pull-over design to make donning and doffing easy
- » Thumb loop cuffs to secure sleeves for glove application





# Isolation Gowns

## AAMI Level 2

### Products

REORDER #	DESCRIPTION	SIZE	PUOM	PUOM FACTOR	PACK STRING
3137389	Isolation Gown, AAMI 2	UL	CA	100	10/bag, 10 bags/ca
3137394	Isolation Gown, AAMI 2	XL	CA	100	10/bag, 10 bags/ca
3137767	Isolation Gown, AAMI 2	2XL	CA	100	10/bag, 10 bags/ca
7598638	Isolation Gown, AAMI 2	3XL	CA	80	10/bag, 8 bags/ca

### General Information

**AAMI Level:** 2

**Fluid Resistance (ROi assigned):** ●●○○

**Material:** SMMS

**Sleeve Seal:** Ultrasonic

**Back:** Full

**Neck Style 1:** Over-the-Head

**Neck Style 2:** Apron

**Tie Type:** Back Tie

**Wrist:** Thumb Loop

**Sterile:** No

**Disposable:** Yes

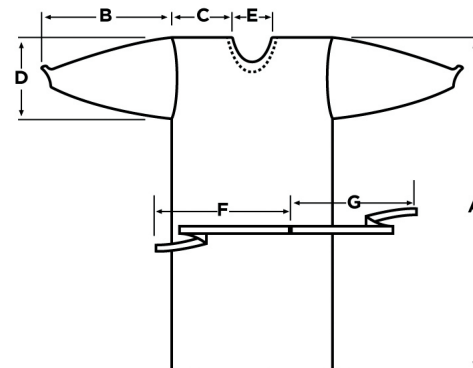
**Made w/ Natural Rubber Latex:** No

**Color:** Yellow

**Standard:** AATCC 42; AATCC 127

### Sizing Guide (unit: cm)

REF		UL	XL	2XL	3XL	TOLERANCE
A	Gown length	111.8	121.9	132.1	147.3	±1.9
B	Sleeve length	60.3	62.9	65.4	68.6	+1.3; -2.5
C	Shoulder width	23.5	27.3	29.9	31.2	+1.3; -2.5
D	Sleeve width	27.9	30.5	33.0	36.8	±1.3
E	Collar width	17.8	17.8	20.3	23.7	±5.1
F	Right belt length	71.8	73.7	76.2	83.3	±2.5
G	Left belt length	95.9	99.1	101.6	107.0	±2.5



#### ORDERING & SERVICE INFO

support@roiscs.com  
1-855-845-9302

Specifications subject to change without prior notice.

#### IMPORTANT ORDERING INSTRUCTIONS

Orders must be placed directly with ROi using ROi reorder numbers to receive HealthTrust contracted pricing. Specifications subject to change without prior notice.



Distributed by  
Resource Optimization  
& Innovation, LLC  
Nashville, TN 37203



# Isolation Gowns

## AAMI Level 3

The Regard AAMI Level 3 Isolation gown protects against moderate fluid levels.

---

### Our Isolation AAMI Level 3 Gowns feature:

- » Full back for added protection
- » Tape tab neck design, making donning and doffing easy
- » Knit cuffs that provide comfort while wearing gloves





# Isolation Gowns

## AAMI Level 3

### Products

REORDER #	DESCRIPTION	SIZE	PUOM	PUOM FACTOR	PACK STRING
8213651	Isolation Gown, AAMI 3	UL	CA	80	10/bag, 8 bags/ca
8213655	Isolation Gown, AAMI 3	XL	CA	80	10/bag, 8 bags/ca
8213652	Isolation Gown, AAMI 3	2XL	CA	60	10/bag, 6 bags/ca
8213653	Isolation Gown, AAMI 3	3XL	CA	60	10/bag, 6 bags/ca

### General Information

**AAMI Level:** 3

**Fluid Resistance (ROi assigned):** ●●●○

**Material:**

**Gown:** SMMS

**Neck Binding:** SPP

**Sleeve Seal:** Ultrasonic

**Back:** Full

**Neck Style:** Tape Tab

**Tie Type:** Back Tie

**Wrist:** Cuff

**Sterile:** No

**Disposable:** Yes

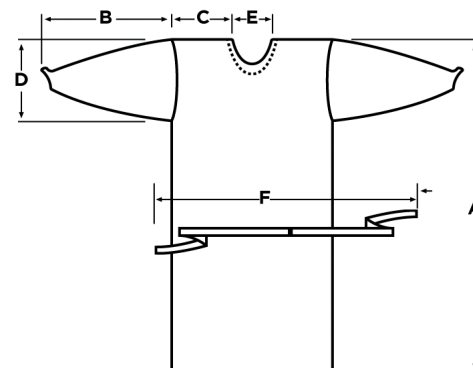
**Made w/ Natural Rubber Latex:** No

**Color:** Blue

**Standard:** AATCC 42; AATCC 127

### Sizing Guide (unit: cm)

REF		UL	XL	2XL	3XL	TOLERANCE
A	Gown length	116.8	127	137.2	147.3	±2.5
B	Sleeve length	53.3	58.4	62.2	68.6	±2.5
C	Shoulder width	24.1	25.4	27.9	29.2	±1.3
D	Sleeve width	29.2	30.5	31.8	35.6	±1.3
E	Collar width	17.8	22.9	25.4	26.7	±1.3
F	Belt length	165.1	170.2	175.3	180.3	±2.5



#### ORDERING & SERVICE INFO

support@roiscs.com

1-855-845-9302

Specifications subject to change without prior notice.

#### IMPORTANT ORDERING INSTRUCTIONS

Orders must be placed directly with ROi using ROi reorder numbers to receive HealthTrust contracted pricing. Specifications subject to change without prior notice.



Distributed by  
Resource Optimization  
& Innovation, LLC  
Nashville, TN 37203