



# PE Film Protective Cover Gowns

The Regard Cover Gown's film material helps protect against fluid contamination to keep users safe.

---

## Our Cover Gowns are:

- » Made from ASTM F1670/1671 compliant polyethylene AAMI level 4 material
- » Designed to make donning and doffing easy with a pull-over design and tear-away perforation
- » Equipped with a thumb loop to secure sleeves for glove application





# PE Film Protective Cover Gown

## Products

REORDER #	DESCRIPTION	SIZE	PUOM	PUOM FACTOR	PACK STRING
3137378	PE Film Protective Cover Gown, 21 gsm	UL	CA	75	1 pc/bag, 15 pcs/dispenser, 5 dispensers/ca
3137391	PE Film Protective Cover Gown, 21 gsm	XL	CA	60	1 pc/bag, 12 pcs/dispenser, 5 dispensers/ca
7461254	PE Film Protective Cover Gown, 21 gsm	2XL	CA	50	1 pc/bag, 10 pcs/dispenser, 5 dispensers/ca

## General Information

**AAMI Level:** \*AAMI4 Rated Material

**Fluid Resistance (ROi Assigned):** ●●●●

**Material:** PE

**Sleeve Seal:** Thermal Bonded

**Back:** Open

**Neck Style 1:** Over-the-Head

**Neck Style 2:** Apron

**Tie Type:** Back Tie

**Wrist:** Thumb Loop

**Sterile:** No

**Disposable:** Yes

**Made w/ Natural Rubber Latex:** No

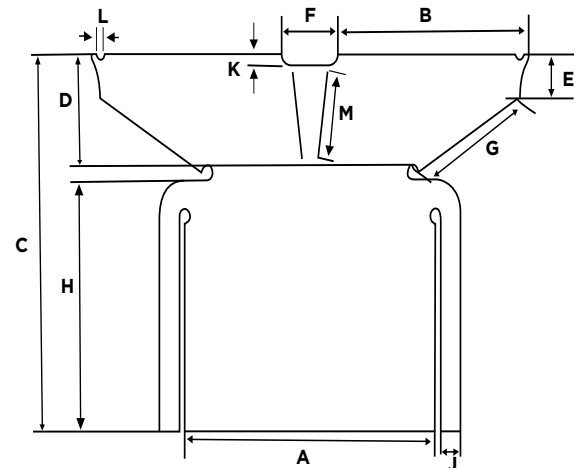
**Color:** Blue

**Standard:** ASTM F1670; ASTM F1671

\* The gown is constructed of AAMI level 4 material tested per AAMI PB70.

## Sizing Guide (unit: cm)

REF		UL	XL	2XL	TOLERANCE
A	Bust width	106.7	119.4	132.0	±2.5
B	Sleeve topside length	83.8	90.8	98.0	±2.5
C	Gown length	116.8	129.5	142.0	±2.5
D	Sleeve width	35.6	40.6	45.6	±2.5
E	Cuff width	13.3	15.2	17.0	±1.3
F	Collar width	24.1	26.7	29.0	±2.5
G	Sleeve bottom side length	54.6	54.6	58.0	±1.3
H	Armpit to bottom length	78.7	86.4	94.0	±2.5
M	Width	8.3	9.5	8.3	±0.6



### ORDERING & SERVICE INFO

support@roiscs.com  
1-855-845-9302

Specifications subject to change without prior notice.

### IMPORTANT ORDERING INSTRUCTIONS

Orders must be placed directly with ROi using ROi reorder numbers to receive HealthTrust contracted pricing. Specifications subject to change without prior notice.



Distributed by  
Resource Optimization  
& Innovation, LLC  
Nashville, TN 37203



# Premium PE Film Protective Cover Gowns

## AAMI Level 4

Regard's Premium PE Film Protective Cover Gown provides high-level fluid protection and can be utilized for decontamination processes.

---

### Regard's Premium AAMI Level 4 PE Film Protective Gowns feature:

- » Compliance with AAMI Level 4 standards
- » Pull-over design with tear-away perforation to make donning and doffing easy
- » Thumb loop cuffs to secure sleeves for glove application





# Premium PE Film Protective Cover Gown

## AAMI Level 4

### Products

REORDER #	DESCRIPTION	SIZE	PUOM	PUOM FACTOR	PACK STRING
8213654	PE Film Protective Cover Gown, 40 gsm	UL	CA	50	1 pc/bag, 10 pcs/box, 5 boxes/ca
8213656	PE Film Protective Cover Gown, 40 gsm	XL	CA	40	1 pc/bag, 8 pcs/box, 5 boxes/ca
8213657	PE Film Protective Cover Gown, 40 gsm	2XL	CA	40	1 pc/bag, 8 pcs/box, 5 boxes/ca

### General Information

**AAMI Level:** \*AAMI 4

**Fluid Resistance (ROi Assigned):** ●●●●

**Material:** PE

**Sleeve Seal:** Thermal Bonded

**Back:** Open

**Neck Style 1:** Over-the-Head

**Neck Style 2:** Apron

**Tie Type:** Back Tie

**Wrist:** Thumb Loop

**Sterile:** No

**Disposable:** Yes

**Made w/ Natural Rubber Latex:** No

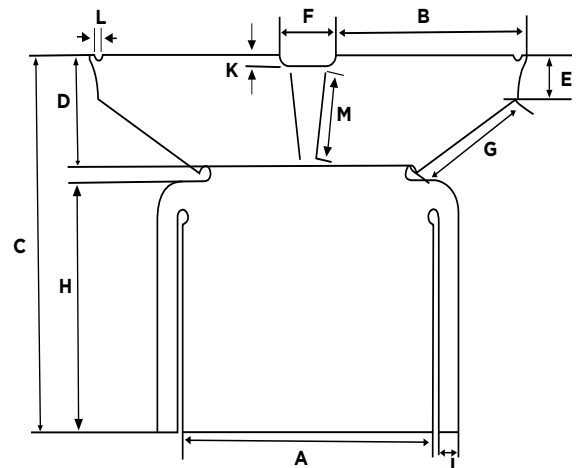
**Color:** Blue

**Standard:** ASTM F1670; ASTM F1671

\* The gown materials and seams pass AAMI PB70 Level 4 testing.

### Sizing Guide (unit: cm)

REF		UL	XL	2XL	TOLERANCE
A	Bust width	106.7	119.4	132.0	±2.5
B	Sleeve topside length	83.8	90.8	98.0	±2.5
C	Gown length	116.8	129.5	142.0	±2.5
D	Sleeve width	35.6	40.6	46.0	±2.5
E	Cuff width	13.3	15.2	17.0	±1.3
F	Collar width	24.1	26.7	29.0	±2.5
G	Sleeve bottom side length	54.6	54.6	58.0	±1.3
H	Armpit to bottom length	78.7	86.4	94.0	±2.5
M	Width	8.3	9.5	8.3	±0.6



#### ORDERING & SERVICE INFO

support@roiscs.com  
1-855-845-9302

Specifications subject to change without prior notice.

#### IMPORTANT ORDERING INSTRUCTIONS

Orders must be placed directly with ROi using ROi reorder numbers to receive HealthTrust contracted pricing. Specifications subject to change without prior notice.



Distributed by  
Resource Optimization  
& Innovation, LLC  
Nashville, TN 37203