



Surgeon Cap with Ties

The Regard Surgeon Cap with ties is designed to be lightweight and absorbent while true to size due to the easy tie feature.

Our Surgeon Caps with Ties are:

- » Available in two material types:
Scrim Paper or a Multilayer Spunbond Polypropylene, Spunbond Meltblown Spunbond option
- » Easy to tie to provide a secure fit
- » Easy to don





Surgeon Cap with Ties

Products

REORDER #	DESCRIPTION	SIZE	COLOR	PUOM	PUOM FACTOR	PACK STRING
7307440	Surgeon Cap w/ Ties, Scrim Paper	Universal	Blue	CA	500	100 ea/box, 5 boxes/ca
7545102	Surgeon Cap w/ Ties, Multilayer SPP & SMS	Universal	Dark Blue	CA	600	100 ea/box, 6 boxes/ca
7545090	Surgeon Cap w/ Ties, Scrim Paper	Universal	Blue	CA	600	100 ea/box, 6 boxes/ca

General Information

Material: Scrim Paper, SPP & SMS

Back Fixation: Tie

Seams: Sewn

Size: Universal

Fluid Resistance: No

Disposable: Yes

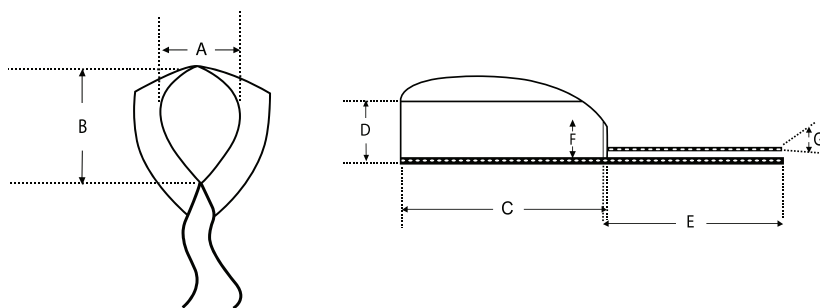
Sterile: No

Made w/ Natural Rubber Latex: No

Color: Blue, Dark Blue

Sizing Guide (unit: cm)

REORDER #	SIZE	A	B	C	D	E	F	G
7307440	Universal	16.5	21.6	30.5	11.4	30.5	7.6	0.6
7545102	Universal	16.5	21.6	30.5	11.4	21.6	10.2	0.6
7545090	Universal	16.5	21.6	30.5	11.4	21.6	10.2	0.6
TOLERANCE		±1.3	±1.3	±1.3	±1.3	±2.5	±1.3	±0.3



ORDERING & SERVICE INFO

support@roiscs.com

1-855-845-9302

Specifications subject to change without prior notice.

IMPORTANT ORDERING INSTRUCTIONS

Orders must be placed directly with ROi using ROi reorder numbers to receive HealthTrust contracted pricing.

Specifications subject to change without prior notice.



Distributed by
Resource Optimization
& Innovation, LLC
Nashville, TN 37203